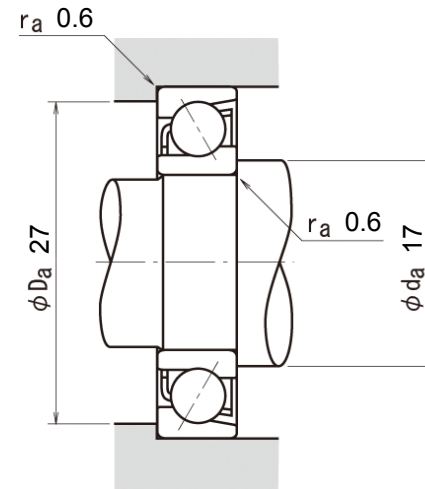
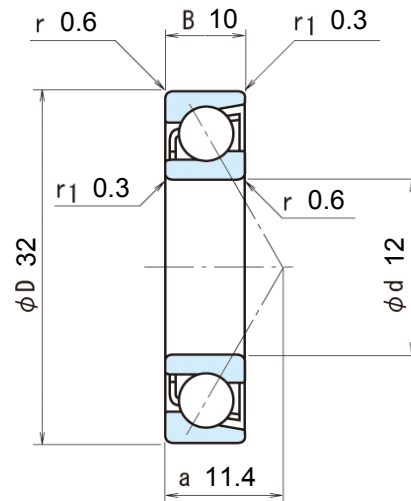


Boundary Dimensions (mm)					Basic Load Ratings (kN)		Limiting Speeds (min <sup>-1</sup> )		Bearing Numbers	NSKHPS
<i>d</i>	<i>D</i>	<i>B</i>	<i>r</i> min.	<i>r1</i> min.	<i>C<sub>r</sub></i>	<i>C<sub>0r</sub></i>	Grease	Oil		
12	32	10	0.6	0.3	8	4.05	20000	28000	7201AW	



Factor	Mass (kg) approx.
$f_0$	approx.
-	0.037